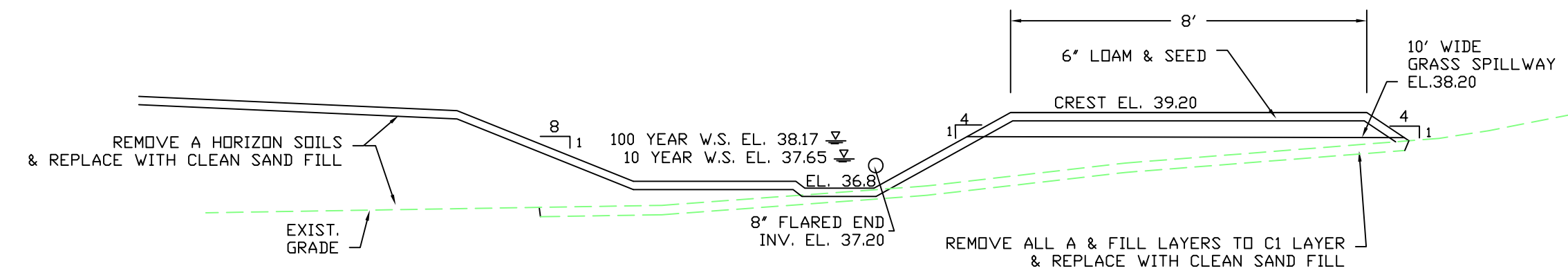


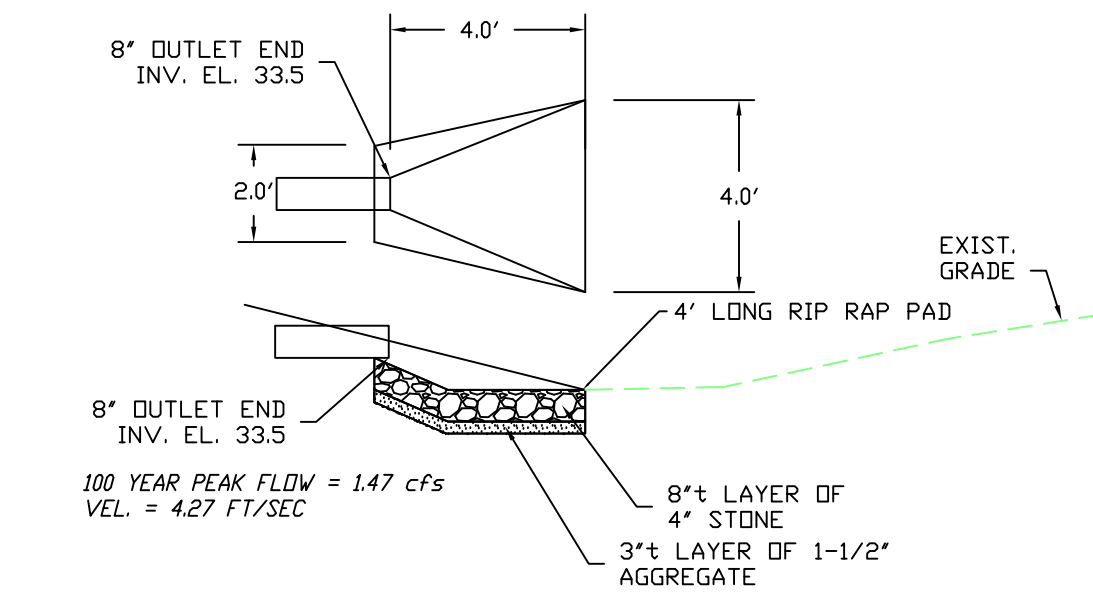
PRECAST CONCRETE CATCH BASIN

NOTES

1. DETAILS NOT INDICATED ABOVE ARE TO BE SIMILAR TO THOSE SHOWN ON M.D.P.W. STD. 201.20, 201.3.0
2. FACE OF PIPE FLUSH OR NOT TO PROJECT MORE THAN 4" FROM FACE OF WALL ALONG CENTERLINE OF PIPE.
3. FOR DESCRIPTION, MATERIAL AND CONSTRUCTION METHOD, SEE SPECIFICATIONS.

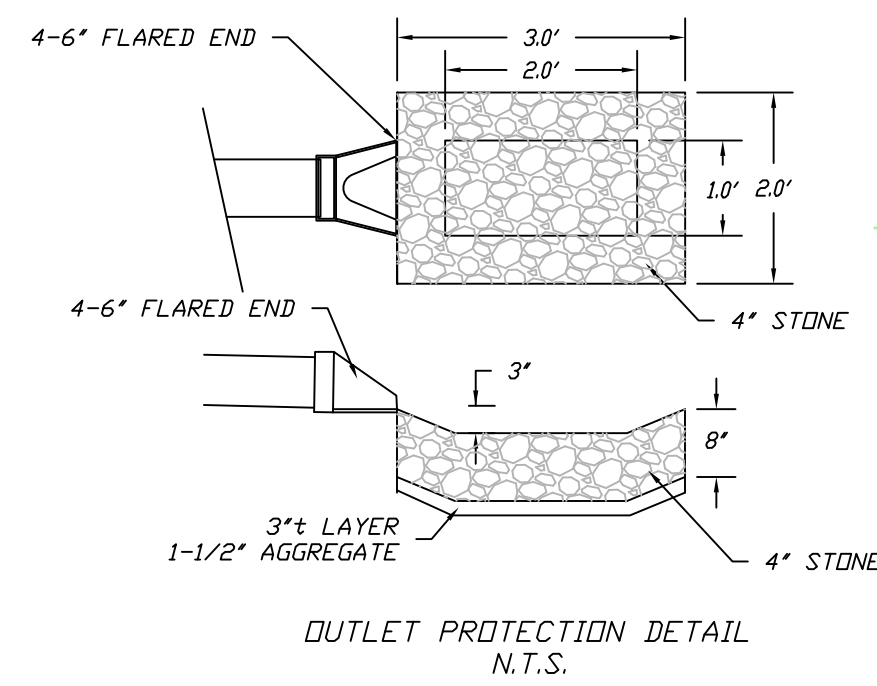


SECTION THRU BASIN EMBANKMENT

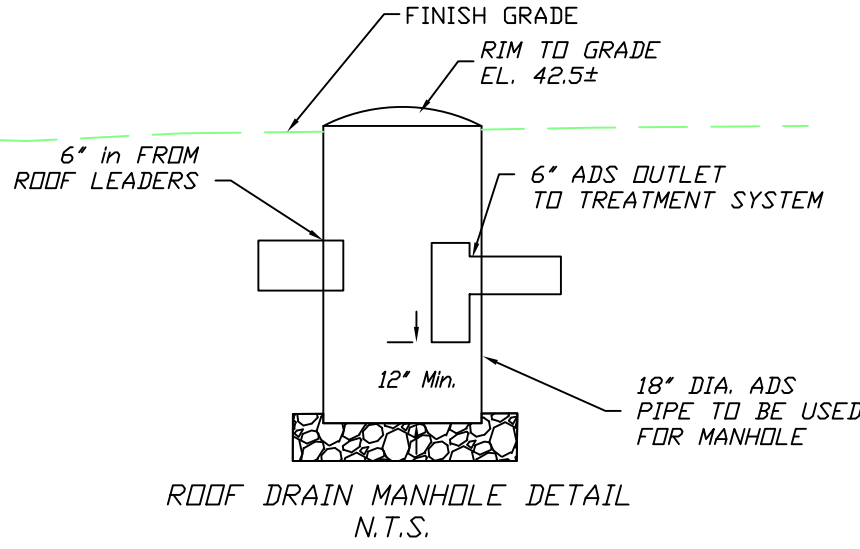


RIP-RAP APRON DETAIL

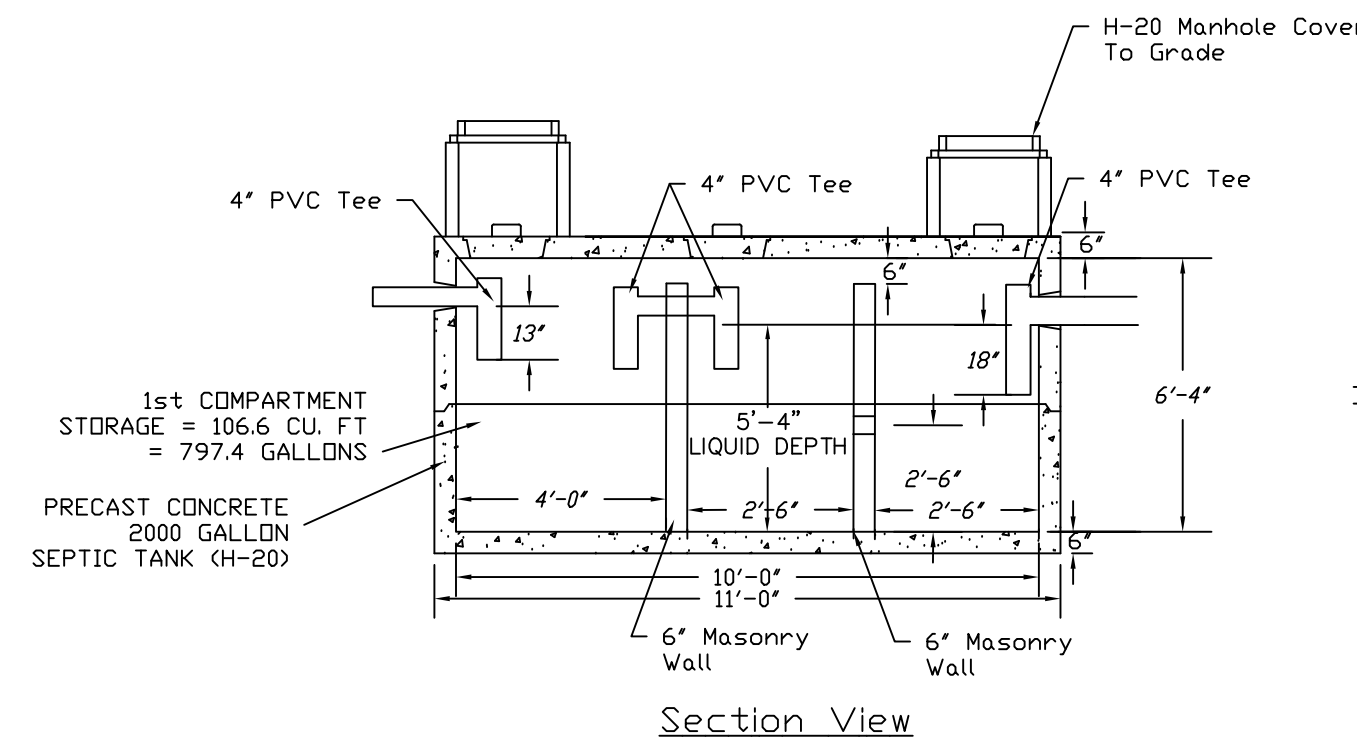
NOTE: ALL OUTLET PROTECTION SHALL CONFORM TO THE STONE SIZES, LAYER THICKNESS AND LENGTH AS NOTED



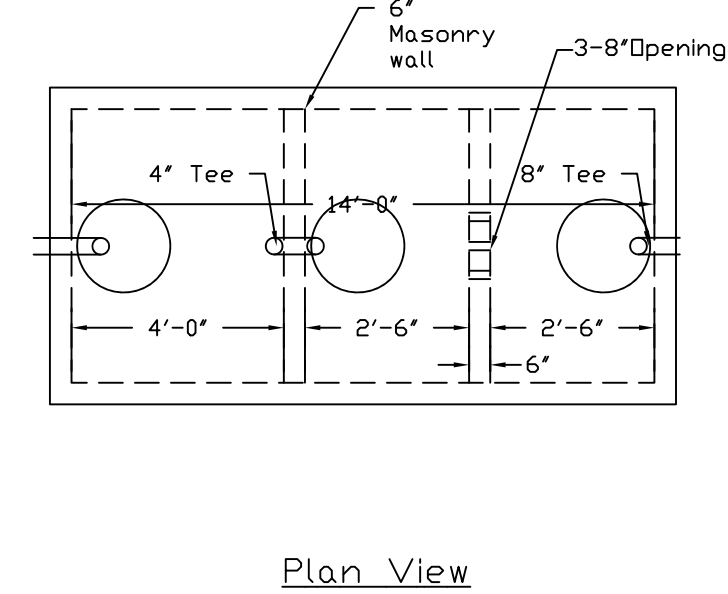
OUTLET PROTECTION DETAIL N.T.S.



ROOF DRAIN MANHOLE DETAIL N.T.S.

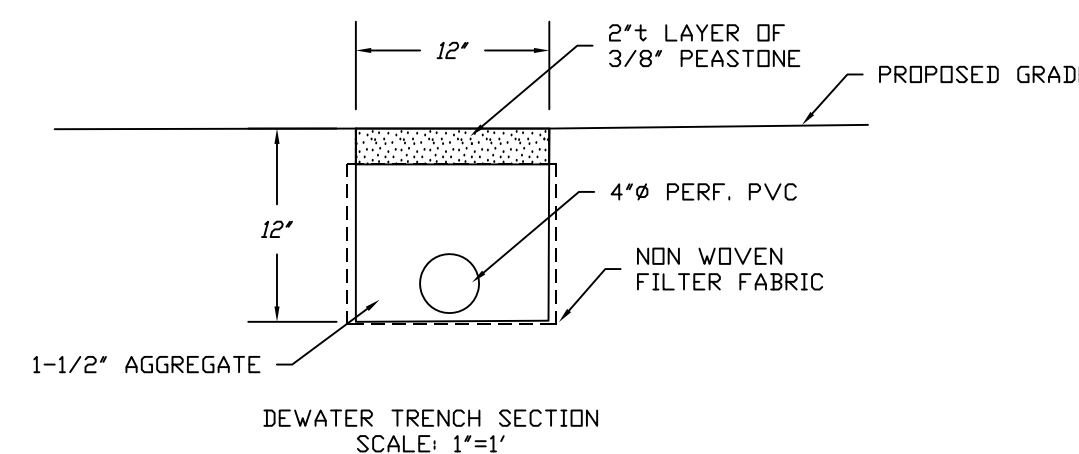


Section View

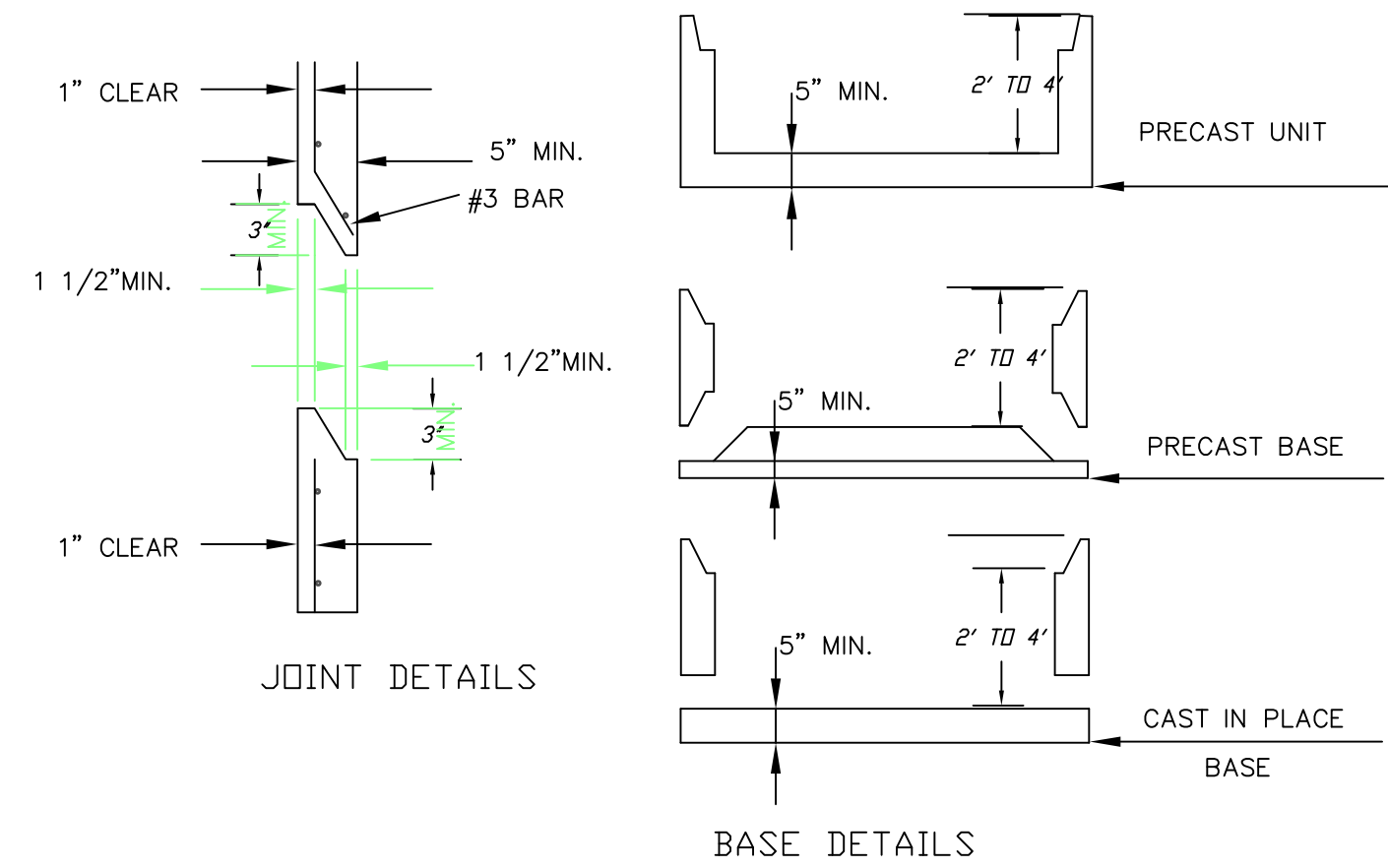


Plan View

2000 GAL. 3-COMPARTMENT SEDIMENT, OIL, & GREASE TRAP

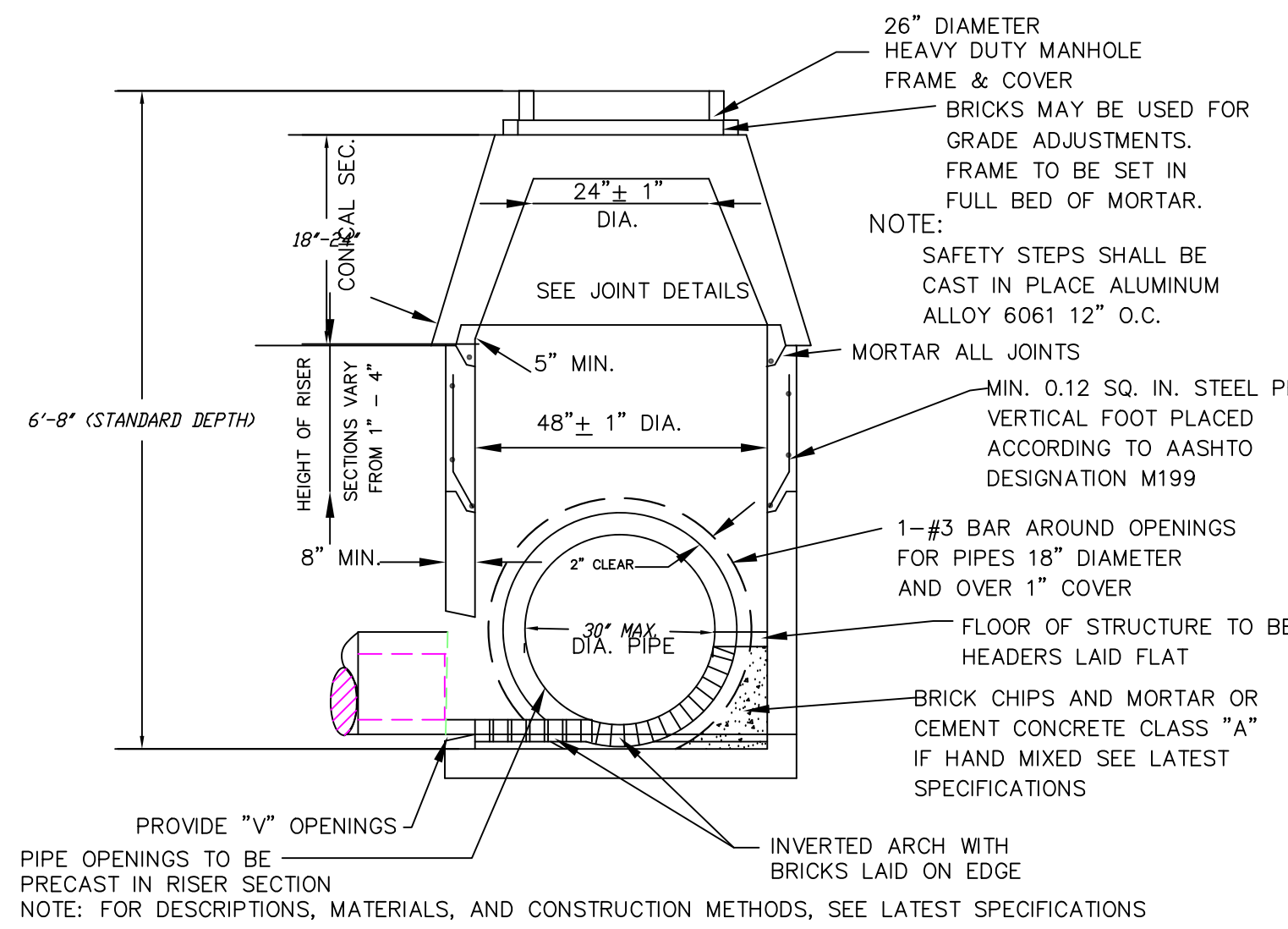


DEWATER TRENCH SECTION SCALE: 1"=1'

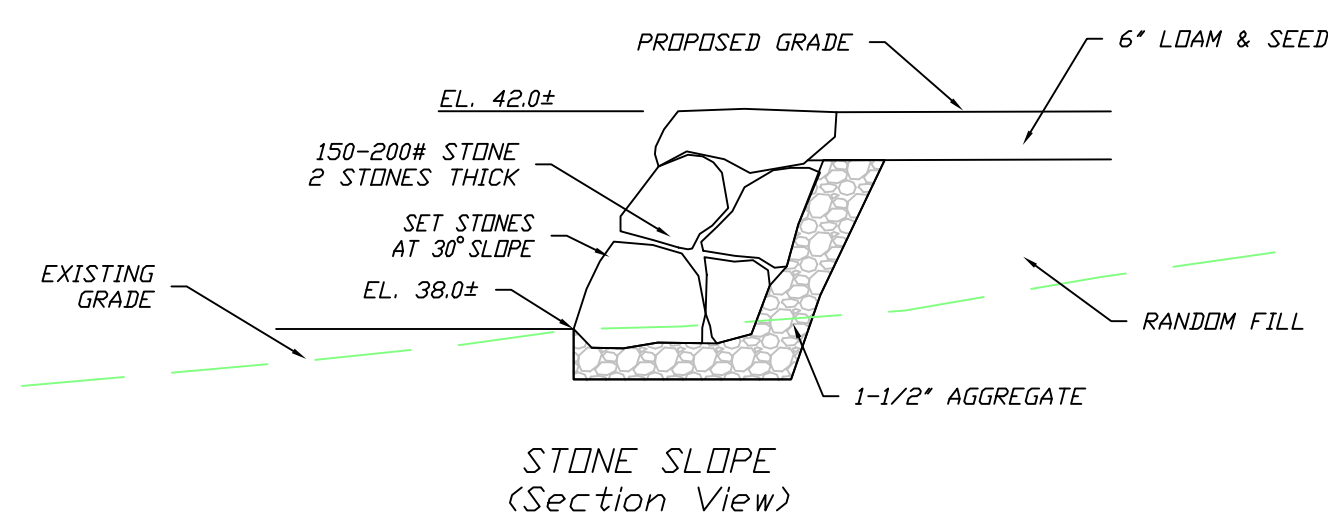


JOINT DETAILS

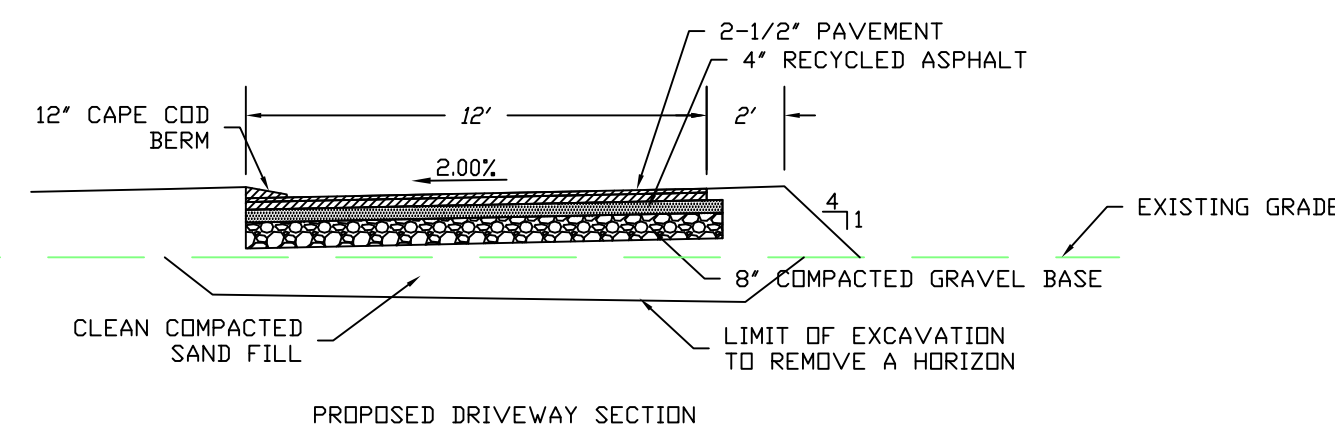
BASE DETAILS



PRECAST CONCRETE MANHOLE



STONE SLOPE (Section View)



PROPOSED DRIVEWAY SECTION

APPROVED BY THE PLANNING BOARD

DATE APPROVED;

OWNER & APPLICANT

RYAN P. SILLERY  
CITY POINT CAPITAL  
300 A STREET  
BOSTON, MA 02210  
ASSESS PARCEL No. 64-0-14  
DEED REFERENCE BK 48257, PG 341

NO.	DATE	DESCRIPTION	BY
1	04/21/21	Minor Revs.	GDJ
2	07/08/21	Response to Comments	GDJ
3	08/02/21	Labeled Property line	GDJ
4	08/23/21	Added sheet for fill	GDJ

DETAIL SHEET

SITE PLAN PROPOSED DWELLING 220 Summer Street HINGHAM, MA 02043		SHEET NUMBER 6 OF 8
SCALE: 1"=20'		
DATE: 03/18/21		
EAST SEPTIC.dwg		
DRAWN: NLJ/ACAD		
CHECKED: G.D.J.		



JAMES ENGINEERING, Inc.  
125 GREAT ROCK ROAD  
HANOVER, MASS. 02339  
TEL: 1-(781) 878-1795